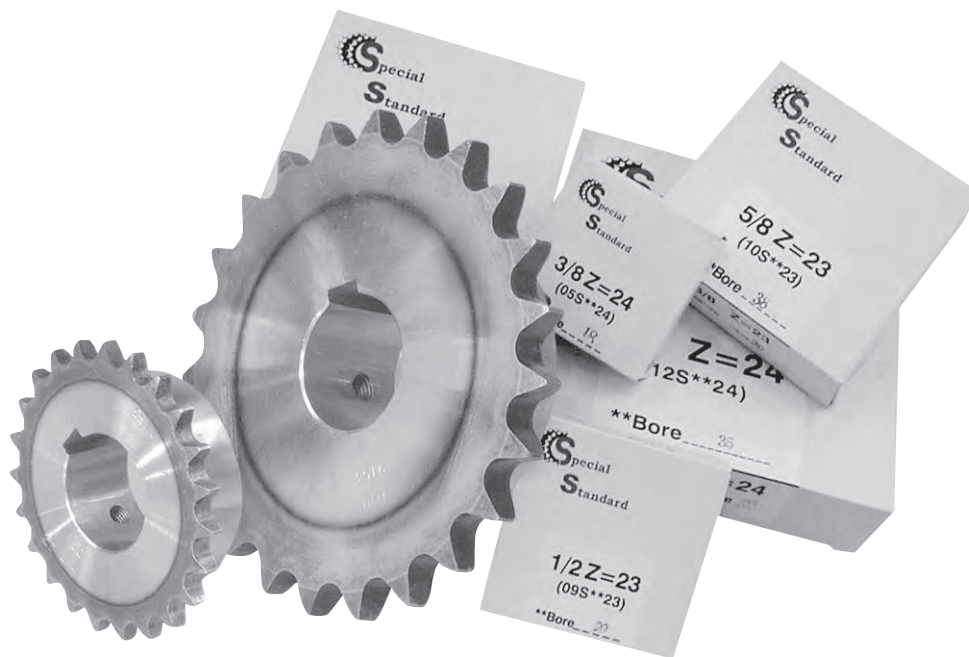
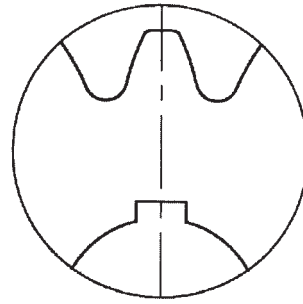
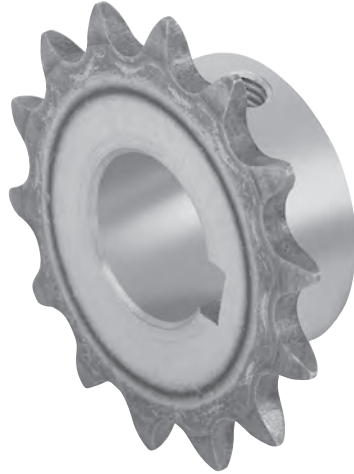


S[ yæÁæ & &@ , ^Á^ • e^ { ÁÓÒÈ





**N.B.**  
Pignoni **temprati ad induzione** sui denti (45 ÷ 55 HRC).  
La sede linguetta è in asse con il dente.

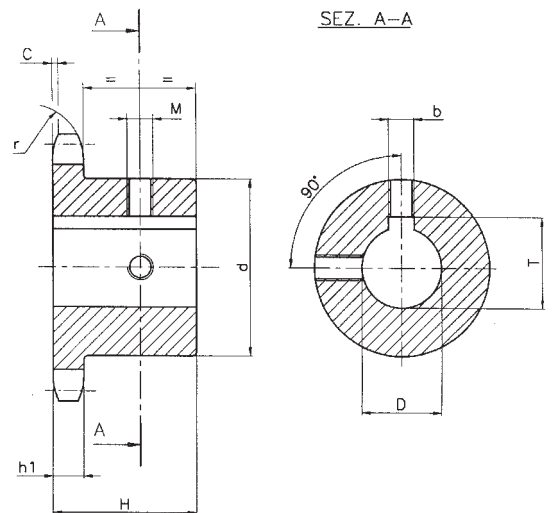
**N.B.**  
Sprockets have **induction hardened** teeth (45 ÷ 55 HRC).  
Keyway is located on center line of tooth.

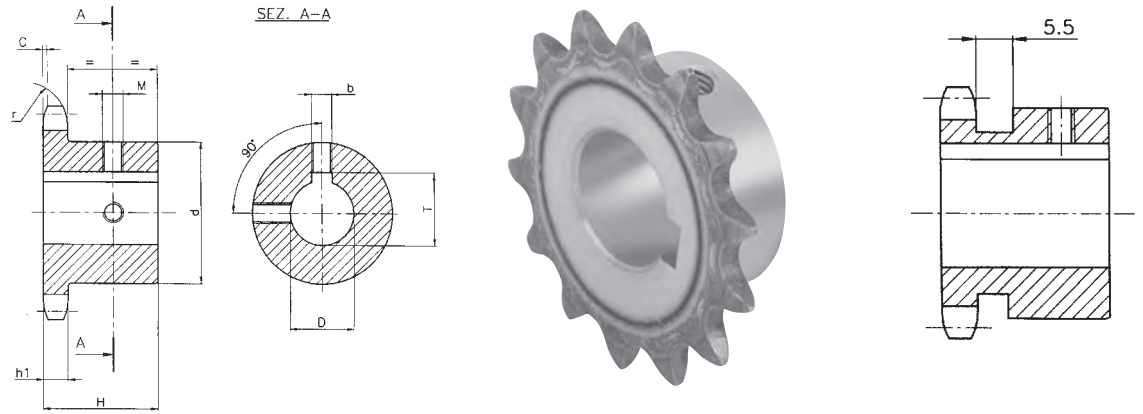
**N.B.**  
Kettenraeder haben **induktionsgehaertete** Zaehne (45 ÷ 55 HRC).  
Die Keilnut befindet sich auf Zahnmitte.

**N.B.**  
Pignons ont denture **traitée par induction** (45 ÷ 55 HRC).  
La rainure de clavette se trouve exactement en axe du dent.

**N.B.**  
Piñones tienen dientes **templados por inducción** (45 ÷ 55 HRC).  
La claveta està exactamente en línea con el dente.

D (H7)	b (H9)	T		M
10	3	D + 1,4	(+0,1/0)	M3
11	4	D + 1,8	(+0,1/0)	M3
12	4	D + 1,8	(+0,1/0)	M3
14	5	D + 2,3	(+0,1/0)	M4
15	5	D + 2,3	(+0,1/0)	M4
16	5	D + 2,3	(+0,1/0)	M4
18	6	D + 2,8	(+0,1/0)	M5
19	6	D + 2,8	(+0,1/0)	M5
20	6	D + 2,8	(+0,1/0)	M5
22	6	D + 2,8	(+0,1/0)	M5
24	8	D + 3,3	(+0,2/0)	M6
25	8	D + 3,3	(+0,2/0)	M6
28	8	D + 3,3	(+0,2/0)	M6
30	8	D + 3,3	(+0,2/0)	M6
32	10	D + 3,3	(+0,2/0)	M8
35	10	D + 3,3	(+0,2/0)	M8
38	10	D + 3,3	(+0,2/0)	M8
40	12	D + 3,3	(+0,2/0)	M10
42	12	D + 3,3	(+0,2/0)	M10
45	14	D + 3,8	(+0,2/0)	M12
48	14	D + 3,8	(+0,2/0)	M12
50	14	D + 3,8	(+0,2/0)	M12
60	18	D + 4,4	(+0,2/0)	M12
65	18	D + 4,4	(+0,2/0)	M12
70	20	D + 4,9	(+0,2/0)	M12





3/8" x 7/32"

Versione (\*) / Type (\*) / Typ (\*) / Tipo (\*)

**06B-1 9,525 x 5,72 mm**

DIN 8187 ISO/R606

CATENA	CHAIN	KETTE	CHAÎNE	CADENA	ISO mm
Passo	Pitch	Teilung	Pas	Paso	<b>9,525</b>
Larghezza interna	Internal width	Innere Breite	Largeur interieure	Ancho interno	<b>5,720</b>
Rullo ø	Roller ø	Rollen ø	ø du rouleau	Rodillo ø	<b>6,350</b>

PIGNONE	SPROCKETS	KETTENRÄDER	PIGNONS	PIÑONES	
Raggio dente r	Tooth radius r	Radius r	Rayon de denture r	Radio diente r	<b>r 10,0</b>
Larghezza raggio C	Radius width C	Breite C	Largeur de rayon C	Ancho radio C	<b>C 1,0</b>
Largh. Dente h <sub>1</sub>	Tooth width h <sub>1</sub>	Zahnbreite h <sub>1</sub>	Larg. de denture h <sub>1</sub>	Ancho diente h <sub>1</sub>	<b>h<sub>1</sub> 5,3</b>

b-T-M pag. / page 19

Materiale C 45 E  
UNI EN 10083-1

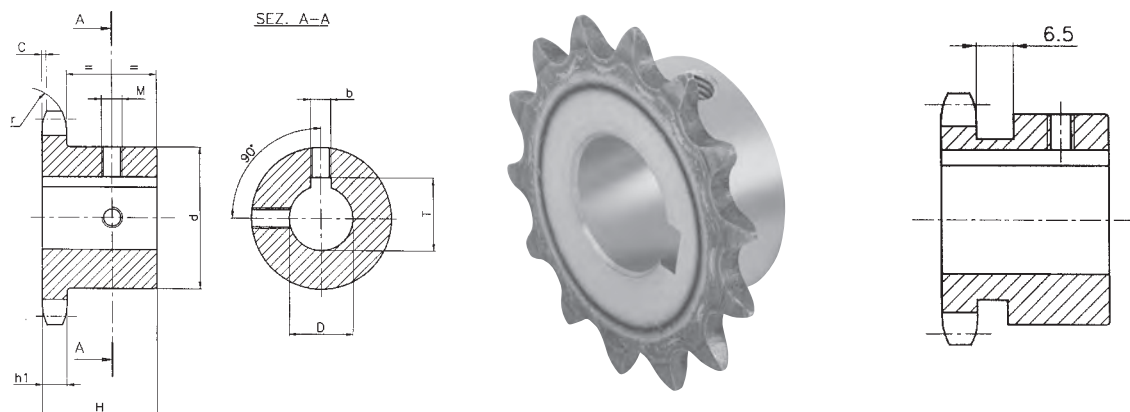
Material C 45 E  
UNI EN 10083-1

Werkstoff C 45 E  
UNI EN 10083-1

Matière C 45 E  
UNI EN 10083-1

Material C 45 E  
UNI EN 10083-1

Cod.	Z	D	H	d	Cod.	Z	D	H	d	Cod.	Z	D	H	d
05SA010	10	10	22	24*	05SB416	16	24	28	42*	05SA821	21	18	28	48
05SA110		11			05SB516		25			05SA921		19		
05SA210		12			05SA217		12			05SB021		20		
05SA410	11	14	25	29*	05SA417	17	14	28	40	05SB221	22	22	28	50
05SA011		10			05SA517		15			05SB421		24		
05SA211		12			05SA617		16			05SB521		25		
05SA411	12	14	25	29*	05SA817	18	18	28	42	05SA522	22	15	28	52
05SA511		15			05SA917		19			05SA622		16		
05SA611		16			05SB017		20			05SA822		18		
05SA012	13	10	25	28	05SB217	19	22	28	43	05SA922	23	19	28	54
05SA212		12			05SB417		24			05SB022		20		
05SA412		14			05SB517		25			05SB222		22		
05SA512	14	15	25	31*	05SA218	18	12	28	45	05SB422	24	24	28	57
05SA612		16			05SA418		14			05SB522		25		
05SA013		10			05SA518		15			05SA523		15		
05SA213	15	12	25	35*	05SA618	19	16	28	46	05SA623	24	16	30	60
05SA413		14			05SA818		18			05SA823		18		
05SA513		15			05SA918		19			05SA923		19		
05SA613	16	16	25	31*	05SB018	20	20	28	48	05SA923	25	20	30	60
05SA813		18			05SB218		22			05SB023		22		
05SA214		12			05SB418		24			05SB223		22		
05SA414	17	14	25	31	05SB518	21	25	28	49	05SB423	24	24	30	60
05SA514		15			05SA219		12			05SB523		25		
05SA614		16			05SA419		14			05SA523		15		
05SA814	18	18	25	35*	05SA519	22	15	28	50	05SA624	25	16	30	60
05SA914		19			05SA619		16			05SA824		18		
05SA215		12			05SA819		18			05SA924		19		
05SA415	19	14	25	34	05SA919	23	19	28	51	05SB024	26	20	30	60
05SA515		15			05SB019		20			05SB224		22		
05SA615		16			05SB219		22			05SB424		24		
05SA815	20	18	25	35	05SB419	24	24	28	52	05SB524	25	25	30	60
05SA915		19			05SB519		25			05SA625		16		
05SB015		20			05SA220		12			05SA825		18		
05SB215	21	22	25	38*	05SA420	25	14	28	53	05SA925	26	19	30	60
05SB415		24			05SA520		15			05SB025		20		
05SB515		25			05SA620		16			05SB225		22		
05SA216	22	12	28	42*	05SA820	26	18	28	54	05SB425	24	24	30	60
05SA416		14			05SA920		19			05SB525		25		
05SA516		15			05SB020		20			05SB830		28		
05SA616	23	16	28	37	05SB220	27	22	28	55	05SB830	28	28	30	60
05SA816		18			05SB420		24			05SC030		30		
05SA916		19			05SB520		25							
05SB016	24	20	28	40	05SA521	28	15	28	56		30		30	60
05SB216		22			05SA621		16							



1/2" x 5/16"

Versione (\*) / Type (\*) / Typ (\*) / Tipo (\*)

**08B-1 12,7 x 7,75 mm**

DIN 8187 ISO/R606

CATENA	CHAIN	KETTE	CHAÎNE	CADENA	ISO mm
Passo	Pitch	Teilung	Pas	Paso	12,7
Larghezza interna	Internal width	Innere Breite	Largeur interieure	Ancho interno	7,8
Rullo ø	Roller ø	Rollen ø	ø du rouleau	Rodillo ø	8,5

PIGNONE	SPROCKETS	KETTENRÄDER	PIGNONS	PIÑONES	
Raggio dente r	Tooth radius r	Radius r	Rayon de denture r	Radio diente r	r 13,0
Larghezza raggio C	Radius width C	Breite C	Largeur de rayon C	Ancho radio C	C 1,3
Largh. Dente h <sub>1</sub>	Tooth width h <sub>1</sub>	Zahnbreite h <sub>1</sub>	Larg. de denture h <sub>1</sub>	Ancho diente h <sub>1</sub>	h <sub>1</sub> 7,2

b-T-M pag. / page 19

Materiale C 45 E  
UNI EN 10083-1

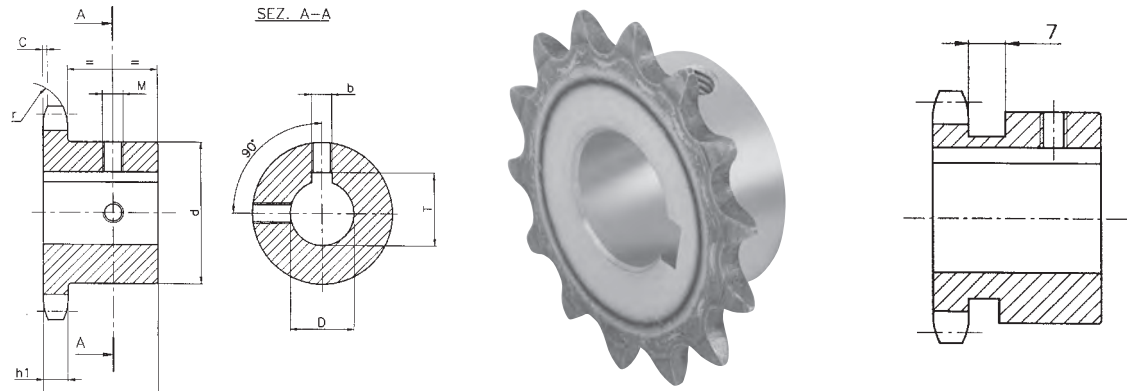
Material C 45 E  
UNI EN 10083-1

Werkstoff C 45 E  
UNI EN 10083-1

Matière C 45 E  
UNI EN 10083-1

Material C 45 E  
UNI EN 10083-1

Cod.	Z	D	H	d	Cod.	Z	D	H	d	Cod.	Z	D	H	d	Cod.	Z	D	H	d
09SA210	10	12	25	26	09SA515	15	15	28	45	09SC818	18	38	28	56	09SB822	22	28	28	70
09SA410		14		29*	09SA615		16			09SA819	18	09SC022	30						
09SA510		15		30*	09SA815		18			09SA919	19	09SC222	32						
09SA610		16		31*	09SA915		19			09SB019	20	09SC522	35						
09SA211	11	12	25	29	09SB015	15	20	47	49*	09SB822	19	20	60	09SC822	23	38	28	70	
09SA411		14		31	09SB215		22			09SB219		22		09SA923		19			
09SA511		15		30	09SB415		24			09SB419		24		09SB023		20			
09SA611		16		31	09SB515		25			09SB519		25		09SB223		22			
09SA811	18	34*	09SB815	28	09SB819	28	09SB423	24											
09SA911	19	35*	09SC015	30	09SC019	30	09SB523	25											
09SA212	12	12	28	29*	09SC215	16	32	50	53*	09SC219	20	32	64	09SB823	24	28	28	70	
09SA412		14		30*	09SA516		15			09SC519		35		09SC023		30			
09SA512		15		31*	09SA616		16			09SC819		38		09SC223		32			
09SA612		16		32*	09SA816		18			09SA620		16		09SC523		35			
09SA812	18	34*	09SA916	19	09SA820	18	09SC823	38											
09SA912	19	35*	09SB016	20	09SA920	19	09SA924	19											
09SB012	20	36*	09SB216	22	09SB020	20	09SB024	20											
09SB212	22	38*	09SB416	24	09SB220	22	09SB224	22											
09SB412	24	41*	09SB516	25	09SB420	24	09SB424	24											
09SB512	25	42*	09SB816	28	09SB520	25	09SB524	25											
09SA213	13	12	28	30*	09SC016	17	30	52	55*	09SB820	21	28	68	09SB824	25	28	28	70	
09SA413		14		31*	09SC216		32			09SC020		30		09SC024		30			
09SA513		15		32*	09SA517		15			09SC220		32		09SC224		32			
09SA613		16		33*	09SA617		16			09SC520		35		09SC524		35			
09SA813	18	35*	09SA817	18	09SC820	38	09SC824	38											
09SA913	19	36*	09SA917	19	09SA621	16	09SA925	19											
09SB013	20	37*	09SB017	20	09SA821	18	09SB025	20											
09SB213	22	39*	09SB217	22	09SA921	19	09SB225	22											
09SB413	24	43*	09SB417	24	09SB021	20	09SB425	24											
09SB513	25	44*	09SB517	25	09SB221	22	09SB525	25											
09SB813	28	47*	09SB817	28	09SB421	24	09SB825	28											
09SA214	14	12	28	34*	09SC017	18	30	56	59*	09SB521	22	25	70	09SC025	30	30	30	80	
09SA414		14		35*	09SC217		32			09SB821		28		09SC225		32			
09SA514		15		36*	09SA618		16			09SC021		30		09SC525		35			
09SA614		16		37*	09SA818		18			09SC221		32		09SC825		38			
09SA814	18	39*	09SA918	19	09SC521	35	09SB530	25											
09SA914	19	40*	09SB018	20	09SC821	38	09SB830	28											
09SB014	20	41*	09SB218	22	09SA622	16	09SC030	30											
09SB214	22	43*	09SB418	24	09SA822	18	09SC230	32											
09SB414	24	45*	09SB518	25	09SA922	19	09SC530	35											
09SB514	25	46*	09SB818	28	09SB022	20	09SC830	38											
09SB814	28	49*	09SC018	30	09SB222	22													
09SA215	15	12	28	42*	09SC218	18	32	56	59*	09SB422	22	24	70		30	30	30	80	
09SA415		14		43*	09SC518		35			09SB522		24							



5/8" x 3/8"

Versione (\*) / Type (\*) / Typ (\*) / Tipo (\*)

**10B-1 15,875 x 9,65 mm**

DIN 8187 ISO/R606

CATENA	CHAIN	KETTE	CHAÎNE	CADENA	ISO mm
Passo	Pitch	Teilung	Pas	Paso	15,875
Larghezza interna	Internal width	Innere Breite	Largeur interieure	Ancho interno	9,700
Rullo ø	Roller ø	Rollen ø	ø du rouleau	Rodillo ø	10,000

PIGNONE	SPROCKETS	KETTENRÄDER	PIGNONS	PIÑONES	
Raggio dente r	Tooth radius r	Radius r	Rayon de denture r	Radio diente r	r 16,0
Larghezza raggio C	Radius width C	Breite C	Largeur de rayon C	Ancho radio C	C 1,6
Largh. Dente h <sub>1</sub>	Tooth width h <sub>1</sub>	Zahnbreite h <sub>1</sub>	Larg. de denture h <sub>1</sub>	Ancho diente h <sub>1</sub>	h <sub>1</sub> 9,1

b-T-M pag. / page 19

Materiale C 45 E  
UNI EN 10083-1

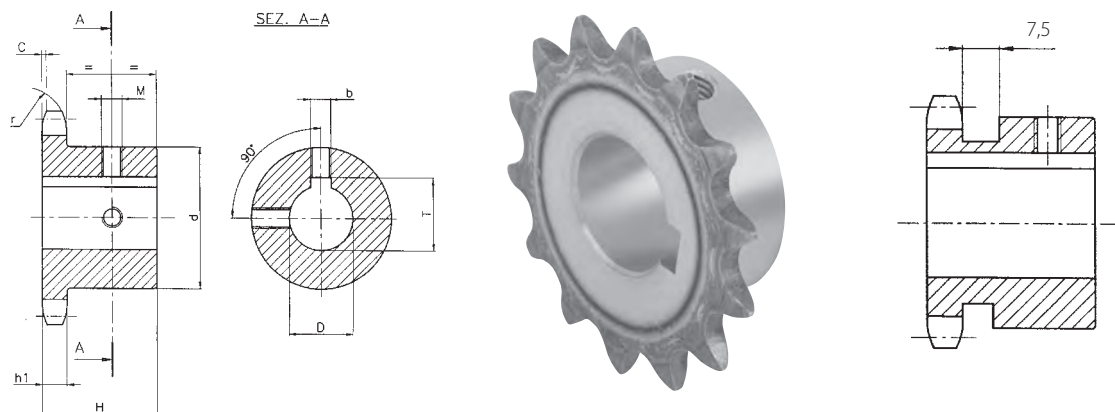
Material C 45 E  
UNI EN 10083-1

Werkstoff C 45 E  
UNI EN 10083-1

Matière C 45 E  
UNI EN 10083-1

Material C 45 E  
UNI EN 10083-1

Cod.	Z	D	H	d	Cod.	Z	D	H	d	Cod.	Z	D	H	d	Cod.	Z	D	H	d	
10SA510	10	15	25	35	10SB814	14	28	30	52	10SA919	19	19	30	70	10SC522	22	35	30	80	
10SA610		16			10SC014		30			10SB019		20			10SC822		38			
10SA910		19			10SC214		32			10SB219		22			10SD022		40			
10SB010		20			10SA915		19			10SB419		24			10SD222		42			
10SB410		24			10SB015		20			10SB519		25			10SA923		19			
10SA511	11	15	30	42*	10SB215	15	22	30	57	10SB819	19	28	30	70	10SB023	23	20	30	80	
10SA611		16			10SB415		24			10SC019		30			10SB223		22			
10SA811		18			10SB515		25			10SC219		32			10SB423		24			
10SA911		19			10SB815		28			10SC519		35			10SB523		25			
10SB011		20			10SC015		30			10SC819		38			10SB823		28			
10SB411	24	10SC215	32	10SD019	40	10SC023	30													
10SB511	25	10SC515	35	10SD219	42	10SC223	32													
10SB811	28	10SA916	19	10SA920	19	10SC523	35													
10SC011	30	10SB016	20	10SB020	20	10SC823	38													
10SA512	12	15	30	42	10SB216	16	22	30	60	10SB220	20	22	30	75	10SD023	24	40	30	80	
10SA612		16			10SB416		24			10SB420		24			10SD223		42			
10SA812		18			10SB516		25			10SB520		25			10SA924		19			
10SA912		19			10SB816		28			10SB820		28			10SB024		20			
10SB012		20			10SC016		30			10SC020		30			10SB224		22			
10SB212	22	10SC216	32	10SC220	32	10SB424	24													
10SB412	24	10SC516	35	10SC520	35	10SB524	25													
10SB512	25	10SC816	38	10SC820	38	10SB824	28													
10SB812	28	10SA917	19	10SD020	40	10SC024	30													
10SC012	30	10SB017	20	10SD220	42	10SC224	32													
10SC212	32	10SB217	22	10SA921	19	10SC524	35													
10SA513	13	15	30	47	10SB417	17	24	30	60	10SB021	21	20	30	75	10SC824	25	38	30	80	
10SA613		16			10SB517		25			10SB221		22			10SD024		40			
10SA813		18			10SB817		28			10SB421		24			10SD224		42			
10SA913		19			10SC017		30			10SB521		25			10SA925		19			
10SB013		20			10SC217		32			10SB821		28			10SB025		20			
10SB213	22	10SC517	35	10SC021	30	10SB225	22													
10SB413	24	10SB817	38	10SC221	32	10SB425	24													
10SB513	25	10SA918	19	10SC521	35	10SB525	25													
10SB813	28	10SB018	20	10SC821	38	10SB825	28													
10SC013	30	10SB218	22	10SD021	40	10SC025	30													
10SC213	32	10SB418	24	10SD221	42	10SC225	32													
10SA514	14	15	30	52	10SB518	18	25	30	70	10SA922	22	19	30	80	10SC525	25	35	30	80	
10SA614		16			10SB818		28			10SB022		20			10SC825		38			
10SA814		18			10SC018		30			10SB222		22			10SD025		40			
10SA914		19			10SC218		32			10SB422		24			10SD225		42			
10SB014		20			10SC518		35			10SB522		25								
10SB214	22	10SC818	38	10SB822	28															
10SB414	24	10SD018	40	10SC022	30															
10SB514	25	10SD218	42	10SC222	32															



3/4" x 7/16"

Versione (\*) / Type (\*) / Typ (\*) / Tipo (\*)

12B-1 19,05 x 11,68 mm

DIN 8187 ISO/R606

CATENA	CHAIN	KETTE	CHAÎNE	CADENA	ISO mm
Passo	Pitch	Teilung	Pas	Paso	19,05
Larghezza interna	Internal width	Innere Breite	Largeur interieure	Ancho interno	11,68
Rullo ø	Roller ø	Rollen ø	ø du rouleau	Rodillo ø	12,07

PIGNONE	SPROCKETS	KETTENRÄDER	PIGNONS	PIÑONES	
Raggio dente r	Tooth radius r	Radius r	Rayon de denture r	Radio diente r	r 19,0
Larghezza raggio C	Radius width C	Breite C	Largeur de rayon C	Ancho radio C	C 2,0
Largh. Dente h <sub>1</sub>	Tooth width h <sub>1</sub>	Zahnbreite h <sub>1</sub>	Larg. de denture h <sub>1</sub>	Ancho diente h <sub>1</sub>	h <sub>1</sub> 11,1

b-T-M pag. / page 19

Materiale C 45 E  
UNI EN 10083-1

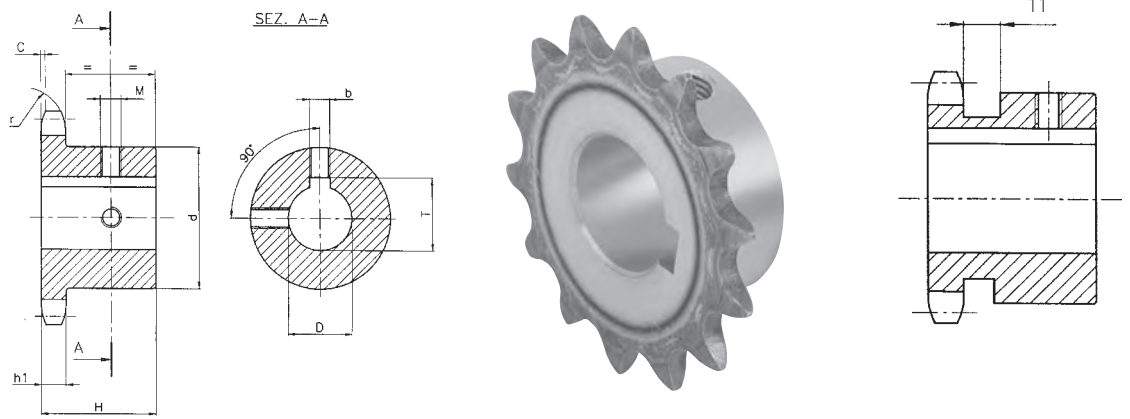
Material C 45 E  
UNI EN 10083-1

Werkstoff C 45 E  
UNI EN 10083-1

Matière C 45 E  
UNI EN 10083-1

Material C 45 E  
UNI EN 10083-1

Cod.	Z	D	H	d	Cod.	Z	D	H	d	Cod.	Z	D	H	d	Cod.	Z	D	H	d
11SA910	10	19	30	42	11SA915	15	19	35	70	11SD019	19	40	35	80	11SD023	23	40	40	90
11SB010		20			11SB015		20			11SD219		42			11SD223		42		
11SB410		24			11SB215		22			11SD519		45			11SD523		45		
11SB510		25			11SB415		24			11SD819		48			11SD823		48		
11SB810		28			11SB515		25			11SE019		50			11SE023		50		
11SC010		30			11SB815		28			11SB520		25			11SB524		25		
11SC210	32	11SC015	30	11SB820	28	11SB824	28												
11SA911	11	19	35	46	11SC215	32	11SC020	30	11SC024	30									
11SB011		20			11SC515	35	11SC220	32	11SC224	32									
11SB411		24			11SC815	38	11SC520	35	11SC524	35									
11SB511		25			11SD015	40	11SC820	38	11SC824	38									
11SB811		28			11SA916	19	11SD020	40	11SD024	40									
11SC011		30			11SB016	20	11SD220	42	11SD224	42									
11SC211	32	11SB216	22	11SD520	45	11SD524	45												
11SA912	12	19	35	52	11SB416	16	24	35	75	11SD820	20	48	40	90	11SD824	24	48	40	90
11SB012		20			11SB516		25			11SE020		50			11SE024		50		
11SB212		22			11SB816		28			11SB521		25			11SB525		25		
11SB412		24			11SC016		30			11SB821		28			11SB825		28		
11SB512		25			11SC216		32			11SC021		30			11SC025		30		
11SB812		28			11SC516		35			11SC221		32			11SC225		32		
11SC012	30	11SC816	38	11SC521	35	11SC525	35												
11SC212	32	11SD016	40	11SC821	38	11SC825	38												
11SC512	35	11SB517	25	11SD021	40	11SD025	40												
11SA913	13	19	35	58	11SB817	17	28	35	80	11SD221	21	42	40	90	11SD225	25	42	40	90
11SB013		20			11SC017		30			11SD521		45			11SD525		45		
11SB213		22			11SC217		32			11SD821		48			11SD825		48		
11SB413		24			11SC517		35			11SE021		50			11SE025		50		
11SB513		25			11SC817		38			11SB522		25							
11SB813		28			11SD017		40			11SB822		28							
11SC013	30	11SD217	42	11SC022	30														
11SC213	32	11SB518	25	11SC222	32														
11SC513	35	11SB818	28	11SC522	35														
11SC813	38	11SC018	30	11SC822	38														
11SA914	14	19	35	64	11SC218	18	32	35	80	11SD022	22	40	40	90					
11SB014		20			11SC518		35			11SD222		42							
11SB214		22			11SC818		38			11SD522		45							
11SB414		24			11SD018		40			11SD822		48							
11SB514		25			11SD218		42			11SE022		50							
11SB814		28			11SB519		25			11SB523		25							
11SC014	30	11SB819	28	11SB823	28														
11SC214	32	11SC019	30	11SC023	30														
11SC514	35	11SC219	32	11SC223	32														
11SC814	38	11SC519	35	11SC523	35														
11SD014	40	11SC819	38	11SC823	38														



1" x 17,02 mm

Versione (\*) / Type (\*) / Typ (\*) / Tipo (\*)

**16B-1 25,4 x 17,02 mm**

DIN 8187 ISO/R606

CATENA	CHAIN	KETTE	CHAÎNE	CADENA	ISO mm
Passo	Pitch	Teilung	Pas	Paso	<b>25,40</b>
Larghezza interna	Internal width	Innere Breite	Largeur interieure	Ancho interno	<b>17,02</b>
Rullo ø	Roller ø	Rollen ø	ø du rouleau	Rodillo ø	<b>15,88</b>

PIGNONE	SPROCKETS	KETTENRÄDER	PIGNONS	PIÑONES	
Raggio dente r	Tooth radius r	Radius r	Rayon de denture r	Radio diente r	<b>r 26,0</b>
Larghezza raggio C	Radius width C	Breite C	Largeur de rayon C	Ancho radio C	<b>C 2,5</b>
Largh. Dente h <sub>1</sub>	Tooth width h <sub>1</sub>	Zahnbreite h <sub>1</sub>	Larg. de denture h <sub>1</sub>	Ancho diente h <sub>1</sub>	<b>h<sub>1</sub> 16,2</b>

b-T-M pag. / page 19

Materiale C 45 E  
UNI EN 10083-1

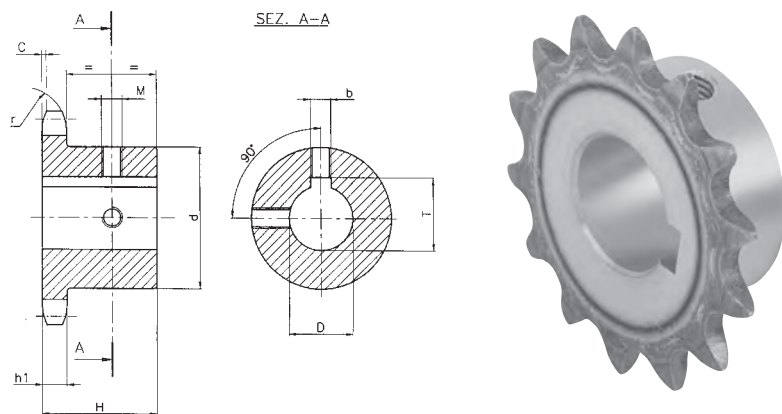
Material C 45 E  
UNI EN 10083-1

Werkstoff C 45 E  
UNI EN 10083-1

Matière C 45 E  
UNI EN 10083-1

Material C 45 E  
UNI EN 10083-1

CODICE	Z	D	H	d	CODICE	Z	D	H	d	CODICE	Z	D	H	d	CODICE	Z	D	H	d	
12SB511	11	25	40	61	12SD015	15	40	40	92	12SD019	19	40	45	100	12SD023	23	40	50	110	
12SB811		28			12SD215		42			12SD219		42			12SD223		42			
12SC011		30			12SD515		45			12SD519		45			12SD523		45			
12SC211		32			12SD815		48			12SD819		48			12SD823		48			
12SC511		35			12SE015		50			12SE019		50			12SE023		50			
12SC811	12	38	40	65	12SB516	16	25	45	100	12SB520	20	25	45	100	12SB524	24	25	50	110	
12SD011		40			12SB816		28			12SB820		28			12SB824		28			
12SD211		42			12SC016		30			12SC020		30			12SC024		30			
12SB512		25			12SC216		32			12SC220		32			12SC224		32			
12SB812		28			12SC516		35			12SC520		35			12SC524		35			
12SC012	30	12SC816	38	12SC820	38	12SC824	38													
12SC212	32	12SD016	40	12SD020	40	12SD024	40													
12SC512	35	12SD216	42	12SD220	42	12SD224	42													
12SC812	38	12SD516	45	12SD520	45	12SD524	45													
12SD012	40	12SD816	48	12SD820	48	12SD824	48													
12SD212	42	12SE016	50	12SE020	50	12SE024	50													
12SB513	13	25	40	78	12SB517	17	25	45	100	12SB521	21	25	50	110	12SB525	25	25	50	110	
12SB813		28			12SB817		28			12SB821		28			12SB825		28			
12SC013		30			12SC017		30			12SC021		30			12SC025		30			
12SC213		32			12SC217		32			12SC221		32			12SC225		32			
12SC513		35			12SC517		35			12SC521		35			12SC525		35			
12SC813	38	12SC817	38	12SC821	38	12SC825	38													
12SD013	40	12SD017	40	12SD021	40	12SD025	40													
12SD213	42	12SD217	42	12SD221	42	12SD225	42													
12SD513	45	12SD517	45	12SD521	45	12SD525	45													
12SD813	48	12SD817	48	12SD821	48	12SD825	48													
12SE013	50	12SE017	50	12SE021	50	12SE025	50													
12SB514	14	25	40	84	12SB518	18	25	45	100	12SB522	22	25	50	110						
12SB814		28			12SB818		28			12SB822		28			12SB826					28
12SC014		30			12SC018		30			12SC022		30			12SC026					30
12SC214		32			12SC218		32			12SC222		32			12SC226					32
12SC514		35			12SC518		35			12SC522		35			12SC526					35
12SC814	38	12SC818	38	12SC822	38	12SC826	38													
12SD014	40	12SD018	40	12SD022	40	12SD026	40													
12SD214	42	12SD218	42	12SD222	42	12SD226	42													
12SD514	45	12SD518	45	12SD522	45	12SD526	45													
12SD814	48	12SD818	48	12SD822	48	12SD826	48													
12SE014	50	12SE018	50	12SE022	50	12SE026	50													
12SB515	15	25	40	92	12SB519	19	25	45	100	12SB523	23	25	50	110						
12SB815		28			12SB819		28			12SB823		28			12SB827					28
12SC015		30			12SC019		30			12SC023		30			12SC027					30
12SC215		32			12SC219		32			12SC223		32			12SC227					32
12SC515		35			12SC519		35			12SC523		35			12SC527					35
12SC815	38	12SC819	38	12SC823	38	12SC827	38													



1" 1/4 x 3/4"

20B-1 31,75 x 19,56 mm

DIN 8187 ISO/R606

CATENA	CHAIN	KETTE	CHAÎNE	CADENA	ISO mm
Passo	Pitch	Teilung	Pas	Paso	31,75
Larghezza interna	Internal width	Innere Breite	Largeur interieure	Ancho interno	19,56
Rullo ø	Roller ø	Rollen ø	ø du rouleau	Rodillo ø	19,05

PIGNONE	SPROCKETS	KETTENRÄDER	PIGNONS	PIÑONES	
Raggio dente r	Tooth radius r	Radius r	Rayon de denture r	Radio diente r	r 32,0
Larghezza raggio C	Radius width C	Breite C	Largeur de rayon C	Ancho radio C	C 3,5
Largh. Dente h <sub>1</sub>	Tooth width h <sub>1</sub>	Zahnbreite h <sub>1</sub>	Larg. de denture h <sub>1</sub>	Ancho diente h <sub>1</sub>	h <sub>1</sub> 18,5

b-T-M pag. / page 19

Materiale C 45 E  
UNI EN 10083-1

Material C 45 E  
UNI EN 10083-1

Werkstoff C 45 E  
UNI EN 10083-1

Matière C 45 E  
UNI EN 10083-1

Material C 45 E  
UNI EN 10083-1

CODICE	Z	D	H	d
13SB509	09	25	40	63
13SC009		30		
13SC209		32		
13SC509		35		
13SC809		38		
13SB510	10	25	40	70
13SC010		30		
13SC210		32		
13SC510		35		
13SC810		38		
13SB511	11	25	45	77
13SB811		28		
13SC011		30		
13SC211		32		
13SC511		35		
13SC811		38		
13SD011		40		
13SD211		42		
13SD511		45		
13SE011		50		
13SF011	60			
13SB512	12	25	45	88
13SB812		28		
13SC012		30		
13SC212		32		
13SC512		35		
13SC812		38		
13SD012		40		
13SD212		42		
13SD512		45		
13SD812		48		
13SE012	50			
13SF012	60			
13SB513	13	25	45	98
13SB813		28		
13SC013		30		
13SC013		30		

CODICE	Z	D	H	d
13SC213	13	32	45	98
13SC513		35		
13SC813		38		
13SD013		40		
13SD213		42		
13SD513		45		
13SD813		48		
13SE013		50		
13SF013		60		
13SC214		14		
13SC514	35			
13SC814	38			
13SD014	40			
13SD214	42			
13SD514	45			
13SD814	48			
13SE014	50			
13SF014	60			
13SC215	15		32	45
13SC515		35		
13SC815		38		
13SD015		40		
13SD215		42		
13SD515		45		
13SD815		48		
13SE015		50		
13SF015		60		
13SC816		16	38	
13SD016	40			
13SD216	42			
13SD516	45			
13SD816	48			
13SE016	50			
13SF016	60			
13SF516	65			
13SG016	70			

CODICE	Z	D	H	d
13SC817	17	38	50	120
13SD017		40		
13SD217		42		
13SD517		45		
13SD817		48		
13SE017		50		
13SF017		60		
13SF517		65		
13SG017		70		
13SC818		18		
13SD018	40			
13SD218	42			
13SD518	45			
13SD818	48			
13SE018	50			
13SF018	60			
13SF518	65			
13SG018	70			
13SC819	19		38	50
13SD019		40		
13SD219		42		
13SD519		45		
13SD819		48		
13SE019		50		
13SF019		60		
13SF519		65		
13SG019		70		
13SC820		20	38	
13SD020	40			
13SD220	42			
13SD520	45			
13SD820	48			
13SE020	50			
13SF020	60			
13SF520	65			
13SG020	70			